

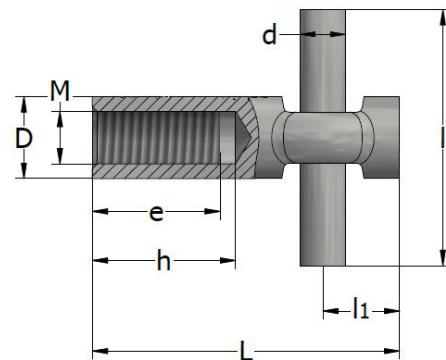
## COMMERCIAL DOCUMENTATION



### **FIXING INSERTS | HBUS** **FIXING INSERT WITH CROSS-DRILLED HOLE AND CROSS-PIN**



## FIXING INSERT WITH CROSS-DRILLED HOLE AND CROSS-PIN – HBUS



Fixing inserts HBUS are manufactured from steel bar 11SMnPb30 (W 1.0718) galvanised (EV) or from stainless steel bar A2 – 304 / 1.4305 (SS2) or A4-316Ti / 1.4571 (SS4). The cross-pin is made from steel bar S235JR. **Do not use these inserts for lifting.**

HBUS-EV	Product no.	Thread M	Overall length [mm]	D [mm]	l1 [mm]	e [mm]	h [mm]	Cross-pin		Admissible load [kN]
								d [mm]	l [mm]	
HBUS M10x50-EV	45486	10	50	14	13	20	25	6	50	3.5
HBUS M10x60-EV	45462	10	60	14	13	20	25	6	50	4.0
HBUS M12x60-EV	45487	12	60	16	15	24	28	9	50	6.0
HBUS M12x70-EV	45463	12	70	16	15	24	28	9	50	7.0
HBUS M16x80-EV	45488	16	80	22	16	30	35	10	80	8.0
HBUS M16x85-EV	45489	16	85	22	16	30	35	10	80	9.0
HBUS M16x100-EV	45320	16	100	22	16	30	35	10	80	13.0
HBUS M20x100-EV	45490	20	100	26	24	35	40	12	80	14.0
HBUS M20x130-EV	45465	20	130	26	24	35	40	12	80	18.0
HBUS M24x120-EV	45491	24	120	32	32	40	45	15	100	18.0
HBUS M24x150-EV	45398	24	150	32	32	40	45	15	100	23.0

HBUS-SS2 (1.4305)	Product no.	Thread M	Overall length [mm]	D [mm]	l1 [mm]	e [mm]	h [mm]	Cross-pin		Admissible load [kN]
								d [mm]	l [mm]	
HBUS M10x50-SS2	45321	10	50	14	13	20	25	6	50	3.5
HBUS M10x60-SS2	45498	10	60	14	13	20	25	6	50	4.0
HBUS M12x60-SS2	45374	12	60	16	15	24	28	9	50	6.0
HBUS M12x70-SS2	45499	12	70	16	15	24	28	9	50	7.0
HBUS M16x80-SS2	45376	16	80	22	16	30	35	10	80	8.0
HBUS M16x85-SS2	45500	16	85	22	16	30	35	10	80	9.0
HBUS M16x100-SS2	45501	16	100	22	16	30	35	10	80	13.0
HBUS M20x100-SS2	45378	20	100	26	24	35	40	12	80	14.0
HBUS M20x130-SS2	45502	20	130	26	24	35	40	12	80	18.0
HBUS M24x120-SS2	45380	24	120	32	32	40	45	15	100	18.0
HBUS M24x150-SS2	45503	24	150	32	32	40	45	15	100	23.0

HBUS-SS4 (1.4571)	Product no.	Thread M	Overall length [mm]	D [mm]	l1 [mm]	e [mm]	h [mm]	Cross-pin		Admissible load [kN]
								d [mm]	l [mm]	
HBUS M10x50-SS4	45373	10	50	14	13	20	25	6	50	3.5
HBUS M10x60-SS4	45492	10	60	14	13	20	25	6	50	4.0
HBUS M12x60-SS4	45375	12	60	16	15	24	28	9	50	6.0
HBUS M12x70-SS4	45493	12	70	16	15	24	28	9	50	7.0
HBUS M16x80-SS4	45377	16	80	22	16	30	35	10	80	8.0
HBUS M16x85-SS4	45494	16	85	22	16	30	35	10	80	9.0
HBUS M16x100-SS4	45495	16	100	22	16	30	35	10	80	13.0
HBUS M20x100-SS4	45379	20	100	26	24	35	40	12	80	14.0
HBUS M20x130-SS4	45496	20	130	26	24	35	40	12	80	18.0
HBUS M24x120-SS4	45381	24	120	32	32	40	45	15	100	18.0
HBUS M24x150-SS4	45497	24	150	32	32	40	45	15	100	23.0

## CONTACT



TERWA is the global supplier for precast and construction solutions with multiple offices around the world. With all our staff, partners and agents, we are happy to provide all construction and precast companies who work in the building industry with full service and 100% support.

## TERWA CONSTRUCTION GROUP

### Terwa Construction Netherlands (HQ)

**Global Sales & Distribution**  
Kamerlingh Onneslaan 1-3  
3401 MZ IJsselstein  
The Netherlands  
**T** +31-(0)30 699 13 29  
**F** +31-(0)30 220 10 77  
**E** [info@terwa.com](mailto:info@terwa.com)

### Terwa Construction Central East Europe

**Sales & Distribution**  
Strada Sânzieni  
507075 Ghimbav  
Romania  
**T** +40 372 611 576  
**E** [info@terwa.com](mailto:info@terwa.com)

### Terwa Construction Poland

**Sales & Distribution**  
Ul. Cicha 5 lok. 4  
00-353 Warszawa  
Poland  
**E** [info@terwa.com](mailto:info@terwa.com)

### Terwa Construction India & Middle East

**Sales & Distribution**  
India  
**T** +91 89 687 000 41  
**E** [info@terwa.com](mailto:info@terwa.com)

### Terwa Construction China

**Sales & distribution**  
5F 504, No. 101 Chuanchang road  
PRC, 200032, Shanghai  
China  
**E** [info@terwa.com](mailto:info@terwa.com)

**ALL SPECIFICATIONS CAN BE CHANGED WITHOUT PREVIOUS NOTICE.**

## DISCLAIMER

Terwa B.V. is not liable for deviations due to wear of the products it has delivered. Neither is Terwa B.V. liable for damage due to inaccurate and/or improper handling and use of the products it has delivered and/or use of same for purposes other than those intended.

Terwa B.V.'s responsibility is furthermore limited in accordance with article 13 of the "Metaalunie" conditions, which are applicable for all Terwa B.V. deliveries. The user is responsible for ensuring compliance with all applicable copyright laws. Without limiting the rights under copyright, no part of this documentation may be reproduced, stored in or introduced into a retrieval system, or transmitted in any form or by any means (electronic, mechanical, photocopying, recording, or otherwise), or for any purpose, without the express written permission of Terwa B.V.